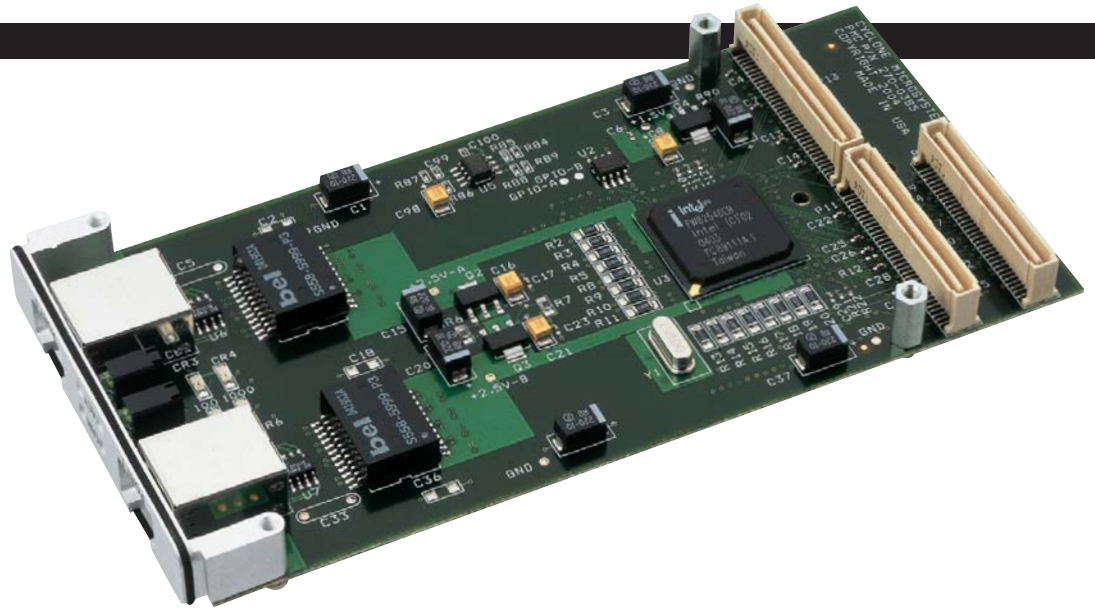
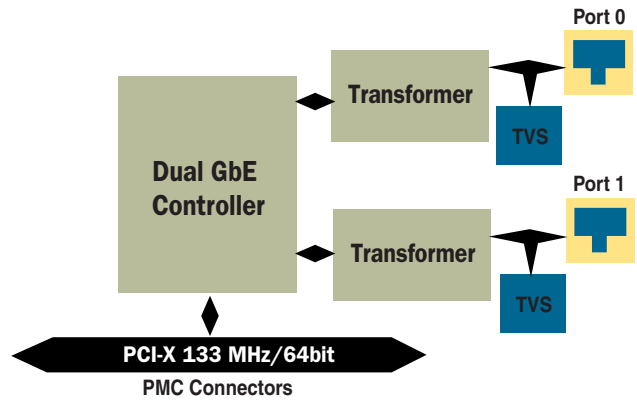


PMC-X 85 Dual Gigabit Ethernet with Transient Voltage Suppression



Features

- ◆ Dual Gigabit Ethernet Ports
- ◆ RJ-45 on Face Panel for CAT-5 Cable
- ◆ Transient Voltage Suppression
- ◆ Software Drivers for Window XP, TimeSys Linux, VxWorks, and ZeroCopy TCP/IP
- ◆ PCI 2.2 (66MHz/64bit) and PCI-X (ANSI/VITA)
- ◆ Universal Signaling



Product Description

The PMC-X 85 Dual Gigabit Ethernet Module expands the I/O capabilities of Compact PCI boards with two 10/100/1000 BaseT ports. The PMC-X 85 supports PCI bus speeds up to 133 MHz/64bits (PCI-X).

The PMC-X 85 has transient voltage suppressors to protect the line interface from transients caused by electrostatic discharge, cable discharge events, lightning, and other induced voltage surges. The PMC-X 85 is designed for equipment that must meet IEC 61000-4-2 (ESD), IEC 61000-4-4 (EFT) and IEC 61000-4-5 (Lightning) immunity standards.

Software drivers are available for Windows XP, Linux, VxWorks, and ZeroCopy TCP/IP.

Ordering Information

PMC-X 85	Dual GbE PMC Module with Transient Voltage Suppression
PMC-X 85-Z	Dual GbE PMC Module with Transient Voltage Suppression and ZeroCopy TCP License
800-0385	PMC-X 85 User's Manual

Cyclone Microsystems
370 James Street
New Haven, CT 06513-3051
(203) 786-5536
information@cyclone.com

PMC-X 85 Data Sheet July 2005
Copyright 2005 Cyclone Microsystems. All Rights Reserved. All specifications subject to change without prior notice.

All names mentioned herein are trademarks of their respected holders.