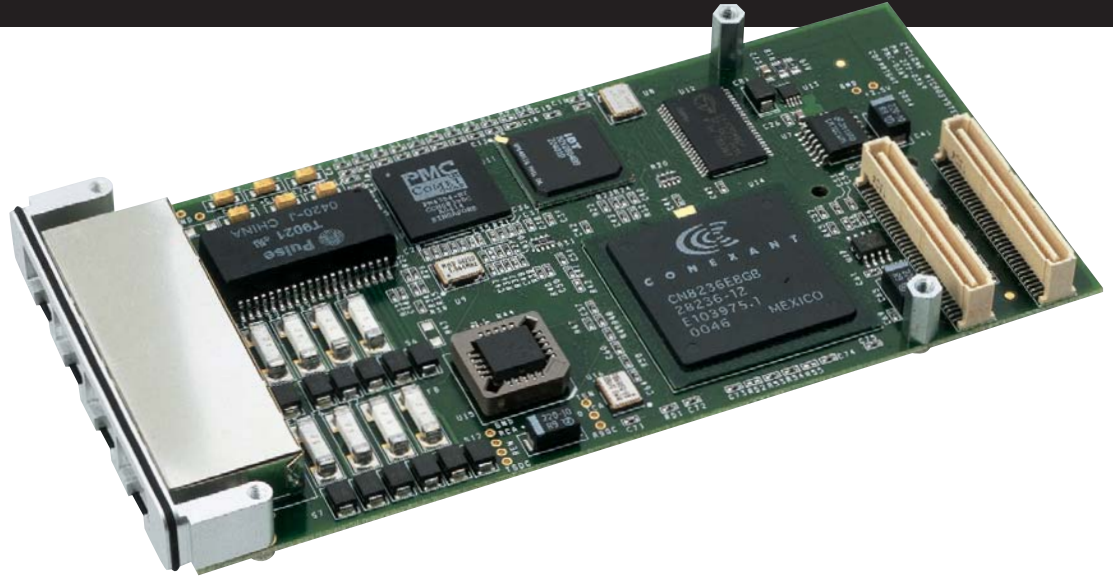
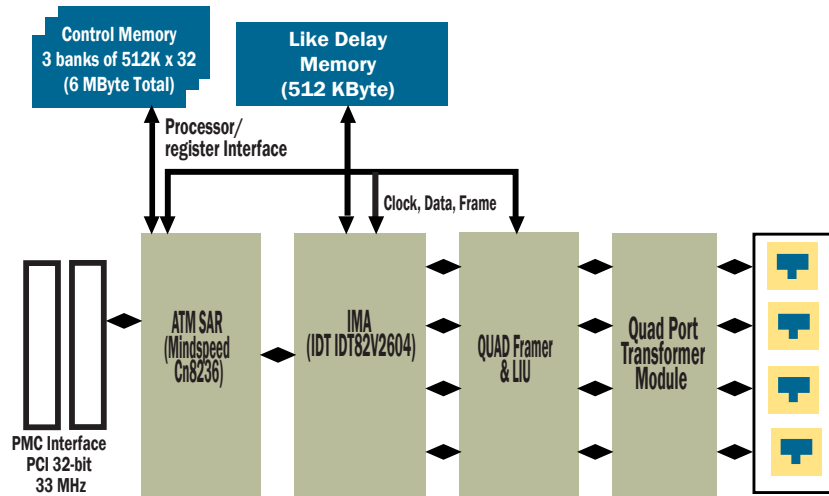


# PMC-69 Four Link T1/E1 IMA PMC



## Features

- ◆ Inverse Multiplexing for ATM
- ◆ Physical Termination of Four Independent T1 or E1 Streams
- ◆ Up to Four IMA Logical Groups
- ◆ Automatic Link Failover
- ◆ Programmable Pulse Shaping
- ◆ AAL 0, AAL 3/4 and AAL 5 Operation
- ◆ Automatic Traffic Management
- ◆ Six MBytes of Control Memory Supporting up to 12,288 Virtual Channel Connections (VCCs)
- ◆ Shielded RJ-45 Connectors with Over Voltage, Over Current and Isolation Protection
- ◆ Universal PMC module supporting 3.3V and 5V Signaling

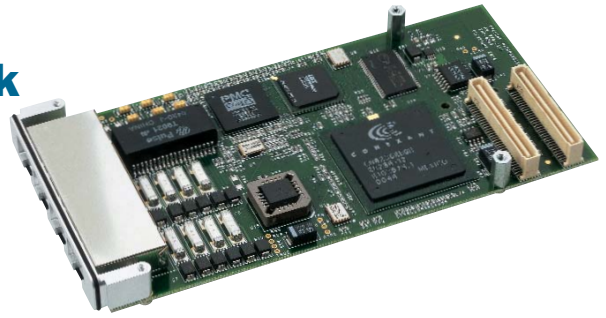


## Product Description

The PMC-69 provides a four link Inverse Multiplexing for an ATM (IMA) interface on a PMC module format. The PMC 69 allows four physically independent T1 or E1 streams to be terminated and their data channels formed into maximum of four logical IMA groups. An on-board ATM Segmentation and Reassembly Device (SAR) then performs ATM terminal functions supporting AAL 0, AAL 3/4 and AAL 5 operations.

The PMC-69 can be used on Cyclone's PCI and Compact PCI Intelligent I/O Controllers as a component of an Integrated Access Controller or Network Translation Subsystem. Diagnostics and sample code is available for both the IMA and SAR functions.

## PMC-69 Four Link T1/E1 IMA PMC



### Technical Specifications

<b>SAR Controller</b>	CN8236 OC-3 SAR with Traffic Management Supports AALO, AAL3/4 and AAL5 Operation	<b>PCI Interface</b>	32 bit/33 MHz PCI bus Univereal Signalling	PCI Local Bus Specification Revision 2.1 Support both +3.3V or +5V Signaling
<b>Memory</b>	6 Mbytes of SRAM SAR Control Memory	<b>Connectors</b>	Type	Four RJ45 Connectors on the face panel
<b>Inverse Multiplexing</b>	IDT 82V2604 IMA interface supports transmission and reception of up to four IMA groups across four physical links	EMI Protection		Over Voltage Protection, Over Current Protection, and Line Isolation on each transmit and receive lines supports shielded and Unshielded CAT-3 or CAT-5 cabling

### Environmental

<b>Physical Dimensions</b>	Height x Width 2.913" x 5.886" Standard Single Slot PMC Module - IEEE P1396.1	<b>Power Requirements</b>	+3.3V +5V -12V	0.9 A Typical 1.3 A Maximum 0 Typical 0 Maximum 0 Typical 0 Maximum
<b>Operating Temperatures</b>	0 to 55 Degrees Celsius	<b>Storage Temperature:</b>		-40 to 125 Degrees Celsius
<b>Relative Humidity</b>	0 - 95%			

### Ordering Information

<b>PMC-69-T1</b>	Four Port T1 IMA Module with 6 Mbytes SRAM
<b>PMC-69-E1</b>	Four Port T1 IMA Module with 6 Mbytes SRAM
<b>700-0369</b>	PMC-69 Companion Diskette
<b>800-0369</b>	PMC-69 User's Manual